



INSTRUCTION BULLETIN

No. 340428
Machine: 6200E
Published: 12-02
Rev. 01

NOTE: DO NOT DISCARD the Parts List from the Instruction Bulletin. Place the Parts List in the appropriate place in your machine manual for future reference. Retaining the Parts List will make it easier to reorder individual parts and will save you the cost of ordering an entire kit.

NOTE: Numbers in parenthesis () are reference numbers for parts listed in Bill of Materials.

Installation instructions for kit number 397781

SYNOPSIS / PROBLEM:

This kit contains the parts needed to install a right hand side brush kit on the model 6200E sweeper.

Please follow step-by-step instructions.

SPECIAL TOOLS / CONSIDERATIONS: NONE

(Estimated time to complete: 2 hours)

PREPARATION:

(Refer to FIG. 1, 2 and 3)

FOR SAFETY: Before leaving or servicing machine, stop on level surface and set parking brake. Then turn off machine and remove key.

1. Disconnect battery cables from machine.



WARNING: Always disconnect battery cables from machine before working on electrical components.

INSTALLATION:

(Refer to FIG. 1, 2 and 3)

2. Remove all hardware mounting the front shroud to the control panel and the machine. Carefully separate the front shroud from the control panel. Set the front shroud and all mounting hardware aside.
3. Lift the machine with a hoist or jacks. Block machine properly with jack stands or check that hoist is properly locked into position.

FOR SAFETY: When servicing machine, block machine tires before jacking up machine.

FOR SAFETY: When servicing machine, jack up machine at designated locations only. Block machine up with jack stands.

SIDE BRUSH MOTOR GROUP INSTALLATION:

(Refer to FIG. 1, 2 and 3)

1. Mount the electric motor (1) to the side brush bracket (10) with four hex screws (2) and washers (3). (Refer to FIG. 1)

2. Mount the right hand side brush guard (19) over the side brush bracket (10) with five hex screws (2), washers (3) and lock nuts (20). (Refer to FIG. 1)
3. Press the two flange bearings (6), into the rear end of the side brush mounting channel (5). (Refer to FIG. 1)
4. Connect the front end of the side brush mounting channel (5) and the right hand lift cable (21) to the bracket and motor sub-assembly with the hex screw (7), die spring (11) and lock nut (9). (Refer to FIG. 1 and 3)

NOTE: Check that the lift cable (21) is mounted on the left (nut) side of the mounting channel (5) and the die spring (11) is on the right side of the bracket (10) when mounted in the channel (5) (Refer to FIG. 1)

5. Connect the side brush cable (12) to the back side of the side brush bracket (10) with hex screw (8) and lock nut (9). Tighten the hex screw (8) and lock nut (9) only hand tight, the side brush cable (12) must be able to move freely. (Refer to FIG. 1)
6. Place one clevis pin (14) in the side brush channel (5) and the second in the top of the side brush bracket (10). Connect the two clevis pins (14) with the extension spring (13). (Refer to FIG. 1)
7. Install the right hand side brush assembly in the machine. Mount the side brush channel (5) to the frame with one clevis pin (20) and cotter pin (4) and mount the side brush cable (12) to the frame with the other clevis pin (20) and cotter pin (4). (Refer to FIG. 1)
8. Secure the side brush wiring harness back along the side brush cable (12) with wire ties.
9. On IC machines only: Secure the main harness with the cable clamp (31) and hex screw (32). (Refer to FIG. 2)

SIDE BRUSH LIFT GROUP INSTALLATION:

(Refer to FIG. 1, 2 and 3)

1. Guide the right hand side brush lift cable (1) up through the frame of the machine just inside the right, front corner brace. (Refer to FIG. 3)
2. Route the lift cable (1) up over the pulley (2). Secure the cable and pulley to the corner brace with one hex screw (6), angle piece (5), sleeve (3), and hex nut (7). Tighten hardware finger tight. (Refer to FIG. 3)
3. Mount the side brush lift plate (10) to the right side of the side brush support with hex screw (8), and washer (9). Tighten the hardware finger tight. (Refer to FIG. 3)
4. Guide the lift cable (1) under the second pulley (2). Secure the lift cable (1) and pulley (2) to the side brush support with one hex screw (23), angle piece (5), two sleeves (3) and (4), a washer (14) and hex nut (7). (Refer to FIG. 3)

NOTE: Guide the hex screw (23) through the angle piece (5), sleeve (3) and pulley (2). Continue through the washer (14), second sleeve (4), the side brush support and side brush lift plate (30). Secure the hex screw (8) with the hex nut (7) on the back side of the side brush lift plate. (10)

5. Guide the lift cable (1) over the third pulley (2). Secure the cable (1) and pulley (2) to the top of the side brush support with one hex screw (6), angle piece (5), sleeve (3), and hex nut (7). Tighten the hardware finger tight. (Refer to FIG. 3)

6. Connect the end of the lift cable (1) to the side brush lift handle with already existing cable mounting hardware. (Refer to FIG. 3)
7. Lower the machine down off the jacks or hoist.
8. Check that the pin (17) is secure in the brush drive shaft. (Refer to FIG. 2)
9. Mount the side brush sweeping head to the motor with a flat washer (15) and cotter pin (16). (Refer to FIG. 2)
10. Lower the side brush with the side brush handle. Adjust the side brush height by loosening and sliding the middle pulley up or down the side brush support. Tighten the pulley when the side brush is in the preferred operating position.
11. Tighten the other two mounted pulleys with a wrench when the side brush height is adjusted.
12. Connect the battery cables to the machine. Turn the machine power on, and check the side brushes for proper operation.
13. Turn the machine power off. Replace the front shroud, and secure with set aside mounting hardware.

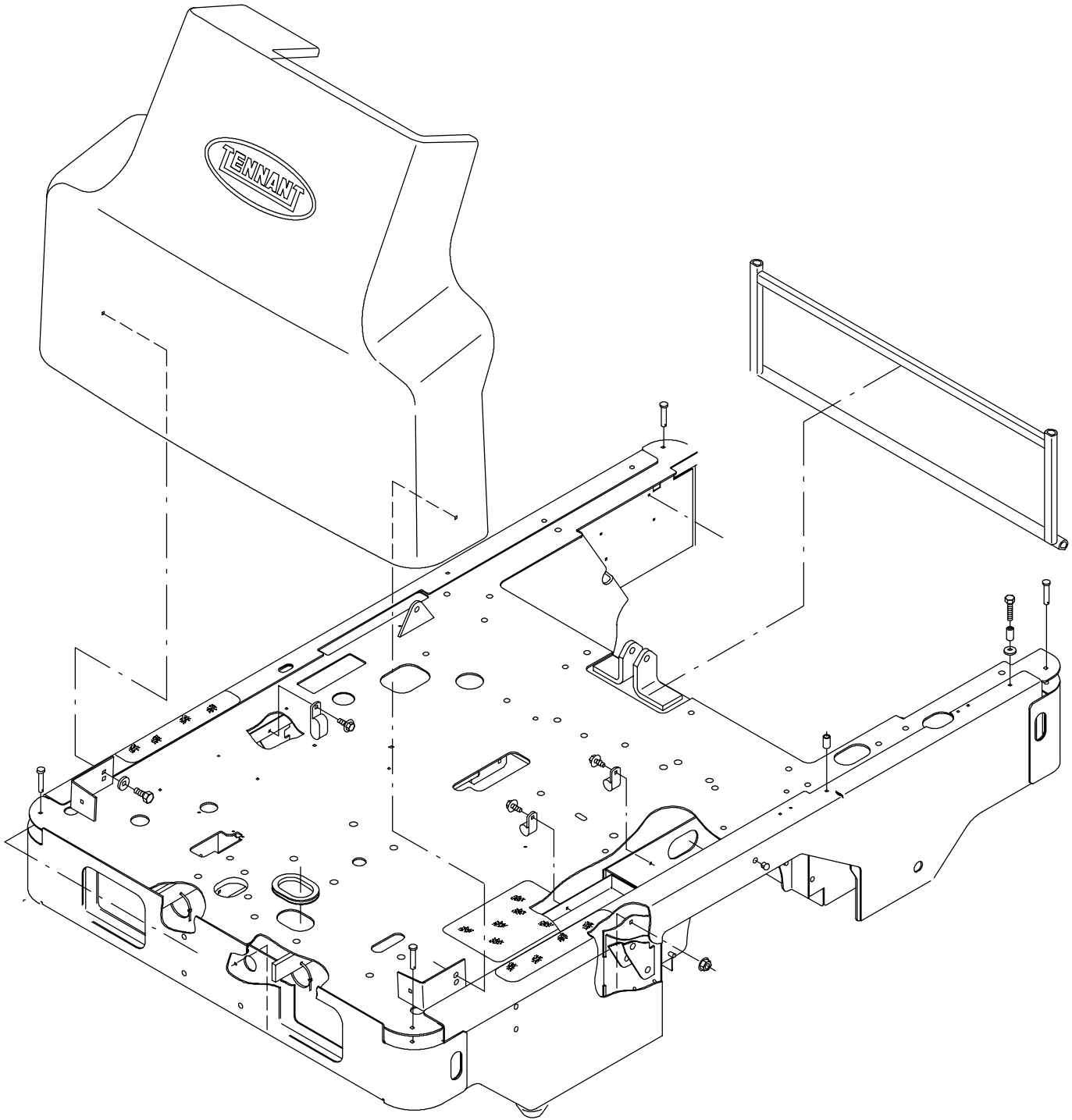


FIG. 1 - FRONT SHROUD REMOVAL

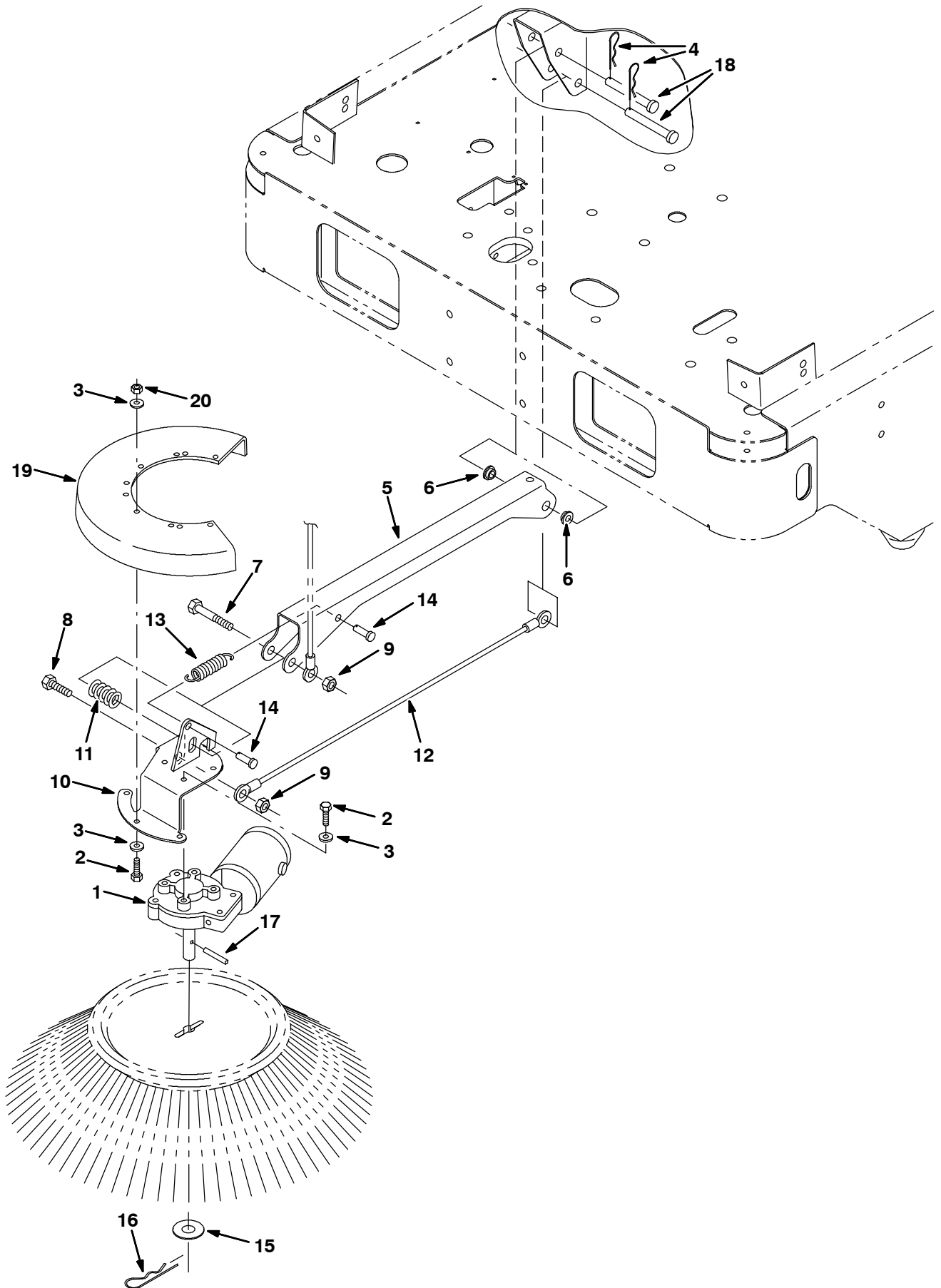


FIG. 2 - RIGHT HAND SIDE BRUSH MOTOR GROUP

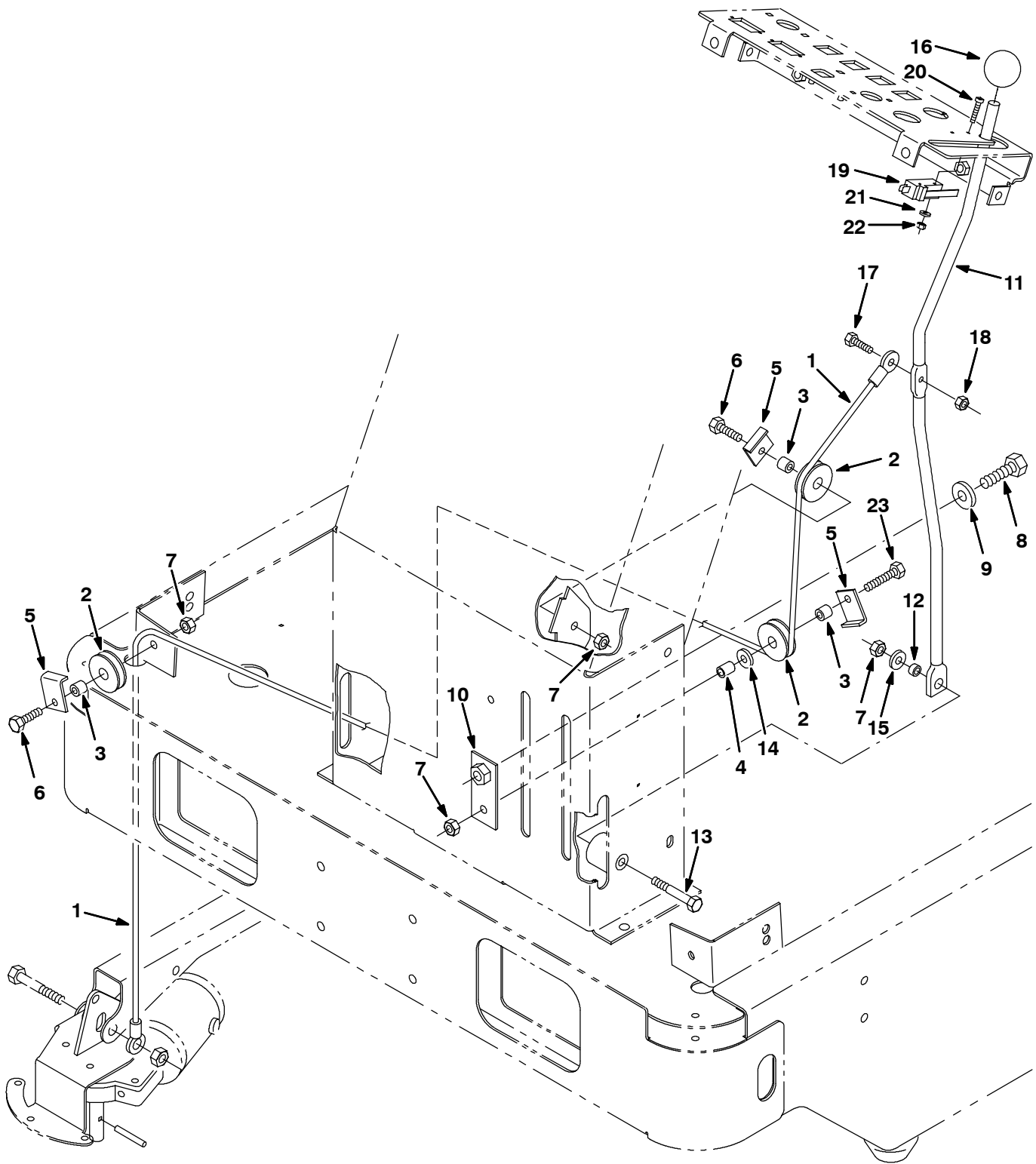


FIG. 3 - RIGHT HAND SIDE BRUSH LIFT GROUP

BILL OF MATERIALS FOR RIGHT HAND SIDE BRUSH LIFT GROUP

NOTE: Right hand side brush kit 397781 contains right hand side brush lift and motor groups

| Ref. | TENNANT Part No. | Description | Qty. |
|------|---------------------|--------------------------------|------|
| 1 | 383511 | Cable, brush, side, RH | 1 |
| 2 | 369781 | Pulley | 3 |
| 3 | 222460 | Sleeve | 3 |
| 4 | 80395 | Sleeve | 1 |
| 5 | 54400 | Angle | 3 |
| 6 | 76570 | Screw, hex, M08-1.25 X 30, 8.8 | 2 |
| 7 | 08709 | Nut, hex, lock, M08-1.25, NI | 4 |
| 8 | 06967 | Screw, hex, M12 X 1.75 20 | 1 |
| 9 | 32493 | Washer, flat, .50 hard | 1 |
| 10 | 81955 | Plate, sidebrush lift | 1 |
| 11 | 383552 | Handle, brush, lift, side | 1 |
| 12 | 360801 | Sleeve | 1 |
| 13 | 06957 | Screw, hex, M08-1.25 X 60, 8.8 | 1 |
| 14 | 32491 | Washer, flat, .31 Hard | 1 |
| 15 | 39349 | Washer, flat .31 Sae | 1 |
| 16 | 81796 | Knob, round, press on, .50 | 1 |
| 17 | 06944 | Screw, hex, M06-1.0 X 25, 8.8 | 1 |
| 18 | 08708 | Nut, hex, lock, M06-1.0, NI | 1 |
| 19 | 41407 | Switch, micro | 1 |
| 20 | 06923 | Screw, pan, M03-0.5 X 25, 4.8 | 2 |
| 21 | 39658 | Washer, lock, int, #04 | 2 |
| 22 | 01754 | Nut, hex, std, M03-0.5 | 2 |
| 23 | 06956 | Screw, hex, M08-1.25 X 45, 8.8 | 1 |

BILL OF MATERIALS FOR RIGHT HAND SIDE BRUSH MOTOR GROUP

NOTE: Right hand side brush kit 397781 contains right hand side brush lift and motor groups

| Ref. | TENNANT Part No. | Description | Qty. |
|-------------|-----------------------------|-----------------------------------|-------------|
| 1 | 81751 | Motor, electric | 1 |
| 2 | 15678 | Screw, hex, M06-1.0 X 16, ss | 9 |
| 3 | 01684 | Washer, flat, .25, ss | 14 |
| 4 | 44906 | Pin, hair, cotter | 2 |
| 5 | 383533 | Channel, Mtg, sidebrush | 1 |
| 6 | 15648 | Bearing, flange | 2 |
| 7 | 06972 | Screw, hex, M12-1.75 X 60, .8.8 | 1 |
| 8 | 41345 | Screw, hex, M12-1.75 X 25, 8.8 | 1 |
| 9 | 08711 | Nut, hex, lock, M12-1.75, NI | 2 |
| 10 | 81786 | Bracket wldt, side brush | 1 |
| 11 | 87242 | Spring, die, .50 ld 1.00, Od 1.25 | 1 |
| 12 | 383513 | Cable, brush, side | 1 |
| 13 | 15047 | Spring, extension | 1 |
| 14 | 39019 | Pin, clevis | 2 |
| 15 | 04400 | Washer, flat, M16, 17 X 30 X 3 ss | 1 |
| 16 | 02942 | Pin, hair, cotter | 1 |
| 17 | 11516 | Pin | 1 |
| 18 | 06279 | Pin, clevis | 2 |
| 19 | 384049 | Guard, brush, side | 1 |
| 20 | 08712 | Nut, hex, lock, M06-1.0, NI, ss | 5 |

TENNANT COMPANY
P. O. Box 1452
Minneapolis, MN 55440-1452